

**NOTES:**

1. See Revised Standard Plan RSP A77N5 for additional vegetation control details.
2. Where dike is constructed under railing, construct vegetation control to back edge of dike. Where paved shoulder is constructed within 36" in front of the post, construct vegetation control to the edge of paved shoulder.

DIST	COUNTY	ROUTE	POST MILES TOTAL PROJECT	SHEET TOTAL SHEETS

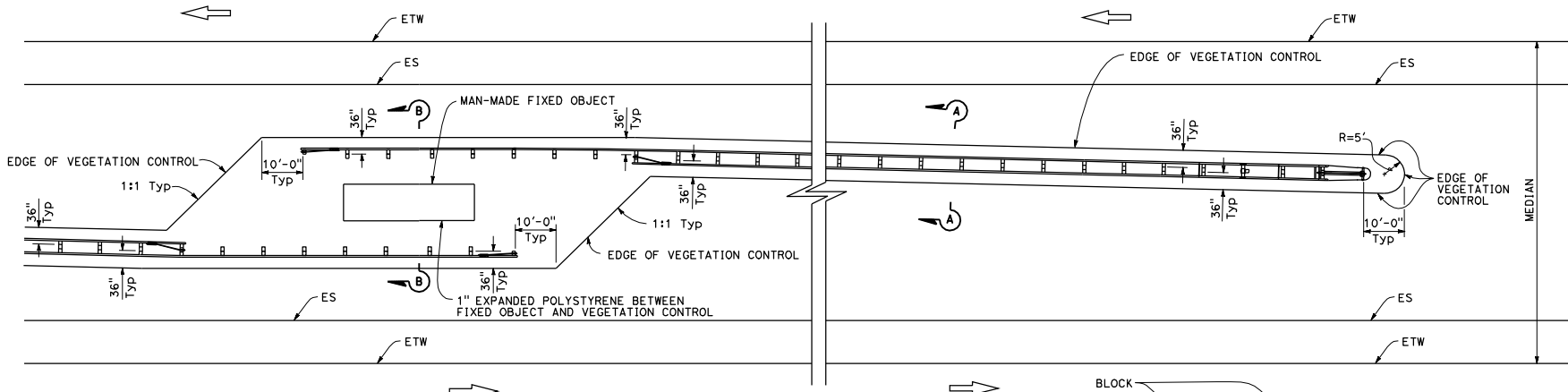
**Randell D. Hiatt**  
REGISTERED CIVIL ENGINEER

PLANS APPROVAL DATE  
July 19, 2013

REGISTERED PROFESSIONAL ENGINEER  
No. C50200  
Exp. 6-30-15  
CIVIL  
STATE OF CALIFORNIA

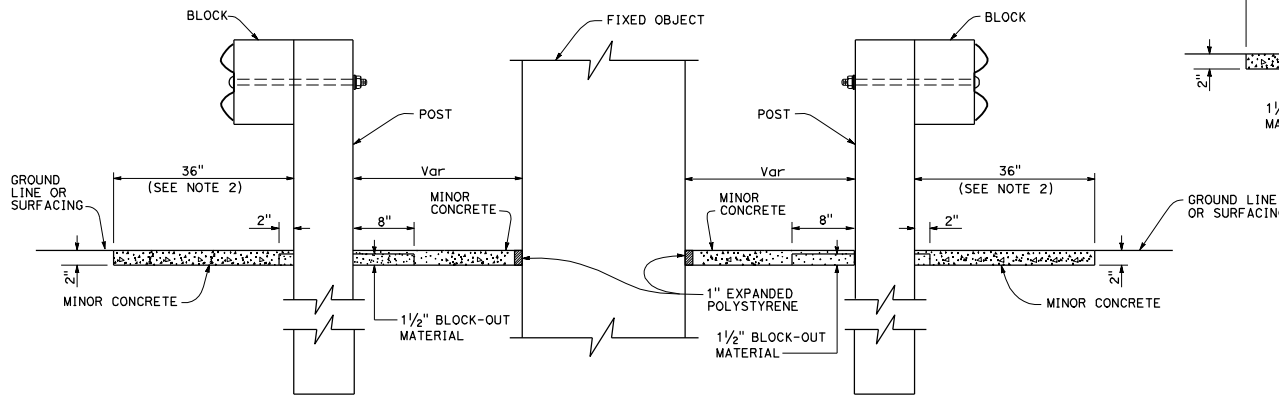
THE STATE OF CALIFORNIA OR ITS OFFICERS OR AGENTS SHALL NOT BE RESPONSIBLE FOR THE ACCURACY OR COMPLETENESS OF SCANNED COPIES OF THIS PLAN SHEET.

TO ACCOMPANY PLANS DATED \_\_\_\_\_

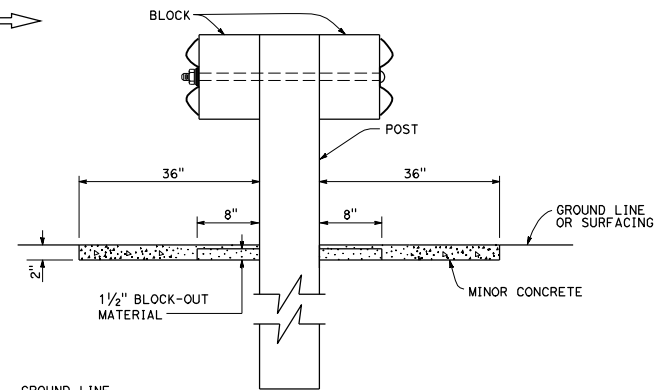


**PLAN**

Fixed object(s) in median



**SECTION B-B**



**SECTION A-A**

STATE OF CALIFORNIA  
DEPARTMENT OF TRANSPORTATION

**MIDWEST GUARDRAIL SYSTEM  
TYPICAL VEGETATION CONTROL  
AT FIXED OBJECT**

NO SCALE

RSP A77N9 DATED JULY 19, 2013 SUPPLEMENTS THE STANDARD PLANS BOOK DATED 2010.

**REVISED STANDARD PLAN RSP A77N9**

2010 REVISED STANDARD PLAN RSP A77N9