

DIST	COUNTY	ROUTE	POST MILES TOTAL PROJECT	SHEET NO.	TOTAL SHEETS

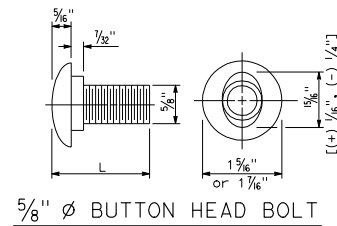
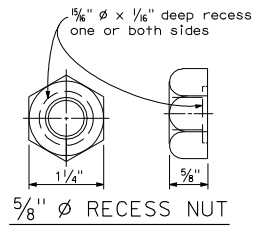
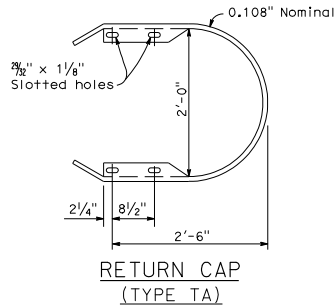
Randell D. Hiatt
REGISTERED CIVIL ENGINEER

May 1, 2006
PLANS APPROVAL DATE

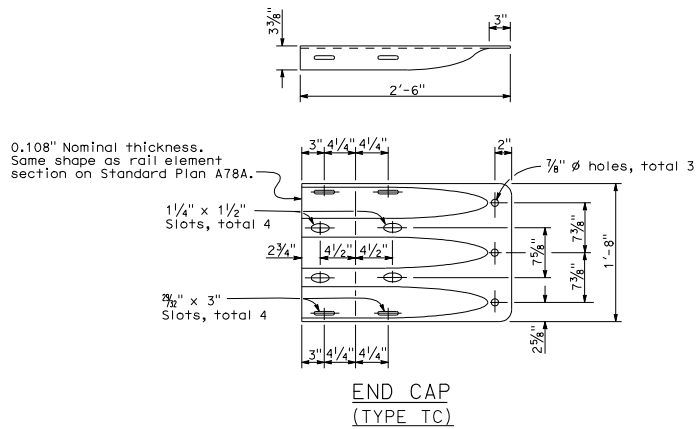
Randell D. Hiatt
No. C50200
Exp. 6-30-07
REGISTERED PROFESSIONAL ENGINEER
CIVIL
STATE OF CALIFORNIA

The State of California or its officers or agents shall not be responsible for the accuracy or completeness of electronic copies of this plan sheet.

To get to the Caltrans web site, go to <http://www.dot.ca.gov>



L	THREAD LENGTH
1 $\frac{1}{4}$ "	full thread length
2"	full thread length
9 $\frac{1}{2}$ "	4" Min thread length
18"	4" Min thread length



STATE OF CALIFORNIA
DEPARTMENT OF TRANSPORTATION

**THREE BEAM BARRIER
STANDARD HARDWARE DETAILS**

NO SCALE

A78C1