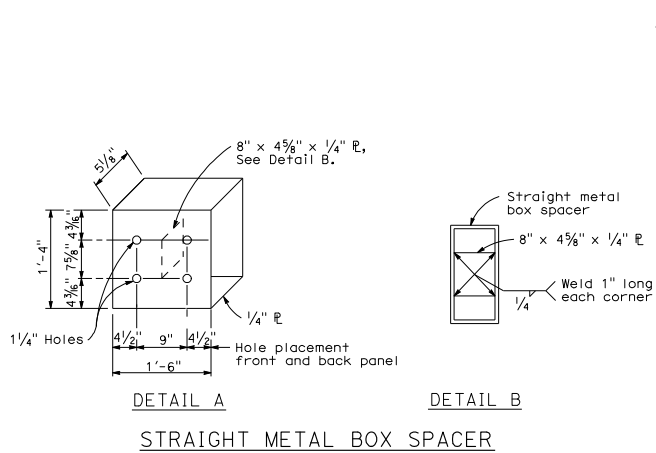


Transition Railing (Type STB)
See Note 2.

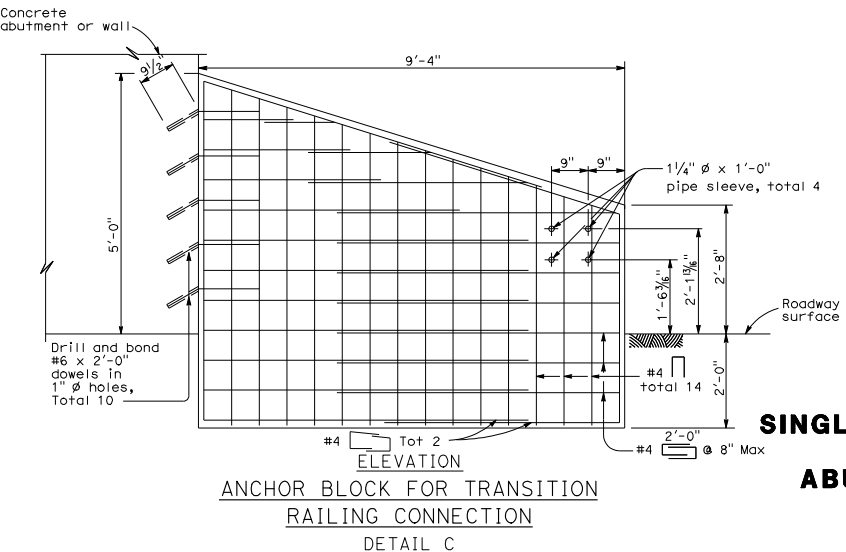
NOTES:

1. These connection details apply to concrete abutments and walls. For additional connections details, see Project Plans.
2. For additional details of Transition Railing (Type STB), see Standard Plan A78J. Transition Railing (Type STB) transitions the standard 12 gage single thrie beam barrier to a heavier gage single thrie beam railing section then to a heavier gage nested double thrie beam barrier section which then is connected to the concrete anchor block.
3. For details of End Cap (Type TC), see Standard Plan A78C1.
4. Direction of adjacent traffic indicated by ➡.

CONNECTION DETAIL 3A
CONNECTION DETAIL 4A
ELEVATION
SINGLE THRIE BEAM BARRIER CONNECTION TO ABUTMENT OR WALL



DETAIL A
DETAIL B
STRAIGHT METAL BOX SPACER



ELEVATION
ANCHOR BLOCK FOR TRANSITION
RAILING CONNECTION
DETAIL C

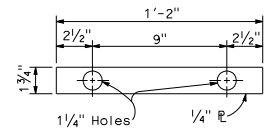


PLATE 'A'

STATE OF CALIFORNIA
DEPARTMENT OF TRANSPORTATION
**SINGLE THRIE BEAM BARRIER
CONNECTIONS TO
ABUTMENTS AND WALLS**

NO SCALE

A78G

DIST	COUNTY	ROUTE	POST MILES TOTAL PROJECT	SHEET NO.	TOTAL SHEETS

Randell D. Hiatt
REGISTERED CIVIL ENGINEER

May 1, 2006
PLANS APPROVAL DATE

Professional Engineer Seal: Randell D. Hiatt, No. C50200, Exp. 6-30-07, CIVIL, STATE OF CALIFORNIA

The State of California or its officers or agents shall not be responsible for the accuracy or completeness of electronic copies of this plan sheet.

To get to the Caltrans web site, go to <http://www.dot.ca.gov>