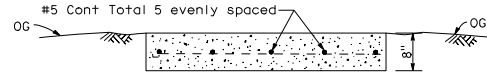
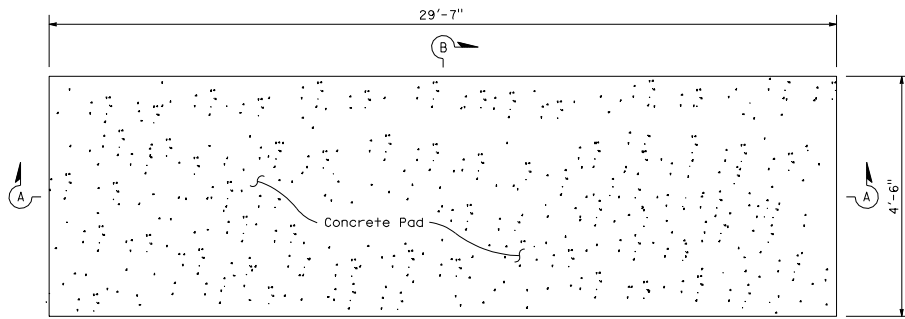
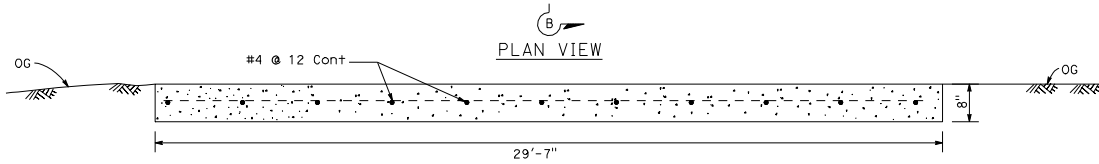


DIST	COUNTY	ROUTE	POST MILES TOTAL PROJECT	SHEET NO.	TOTAL SHEETS
<i>Randell D. Hiatt</i> REGISTERED CIVIL ENGINEER					
May 1, 2006 PLANS APPROVAL DATE					
No. C50200 Exp. 6-30-07 CIVIL STATE OF CALIFORNIA					
<i>The State of California or its officers or agents shall not be responsible for the accuracy or completeness of electronic copies of this plan sheet.</i>					
To get to the Caltrans web site, go to <a href="http://www.dot.ca.gov">http://www.dot.ca.gov</a>					



SECTION B-B

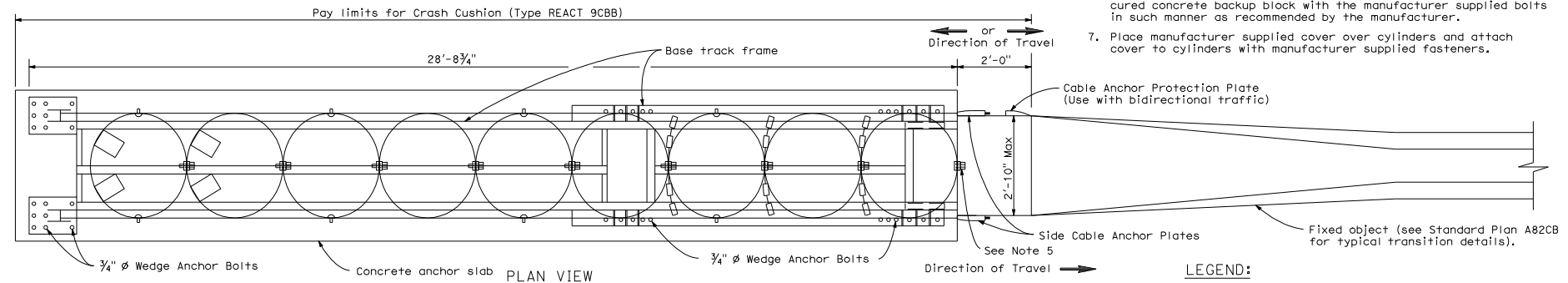


SECTION A-A  
CONCRETE ANCHOR SLAB

**NOTES:**

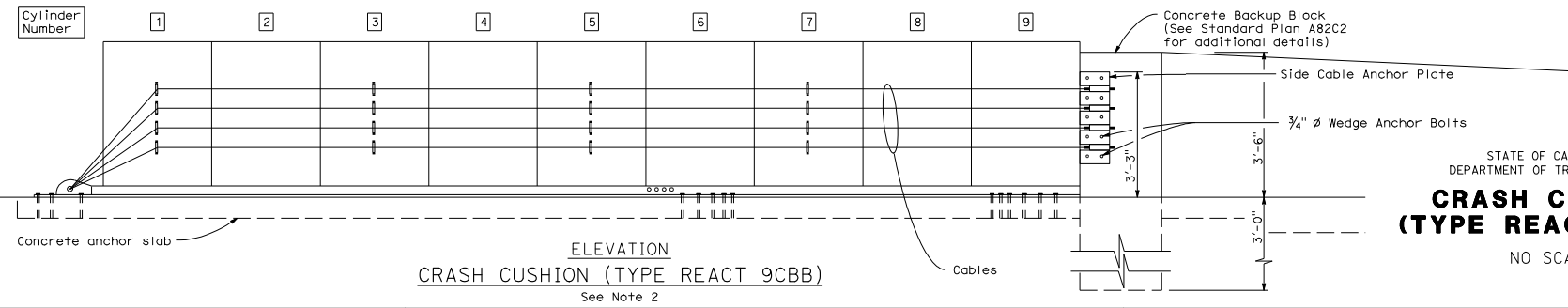
1. For additional details of this crash cushion, refer to manufacturer's installation instructions.
2. For details of the REACT Crash Cushion with self contained backup support (no concrete backup block), see Standard Plan A82D1.
3. The base track frame with cylinders attached comes from the manufacturer as a completely pre-assembled unit.
4. Place the crash cushion unit on the cured concrete anchor slab and use the base track frame of the crash cushion as a template for drilling anchor bolt holes. Drill holes in slab and attach crash cushion with wedge anchor bolts supplied by the manufacturer.
5. Attach last cylinder to concrete backup block with manufacturer supplied fastener in such manner as recommended by the manufacturer.
6. Attach the manufacturer supplied side cable anchor plates to the cured concrete backup block with the manufacturer supplied bolts in such manner as recommended by the manufacturer.
7. Place manufacturer supplied cover over cylinders and attach cover to cylinders with manufacturer supplied fasteners.

104



**LEGEND:**

9CBB = 9 Cylinder Cushion with Concrete Backup Block



ELEVATION  
CRASH CUSHION (TYPE REACT 9CBB)  
See Note 2

STATE OF CALIFORNIA  
DEPARTMENT OF TRANSPORTATION  
**CRASH CUSHION  
(TYPE REACT 9CBB)**  
NO SCALE

**A82C1**

2006 STANDARD PLAN A82C1