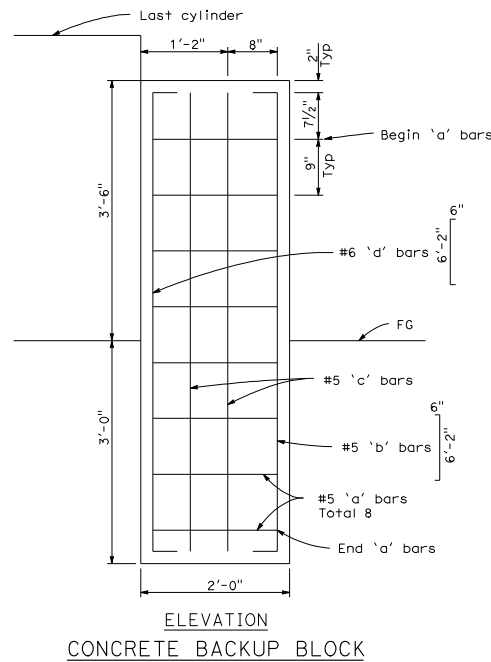
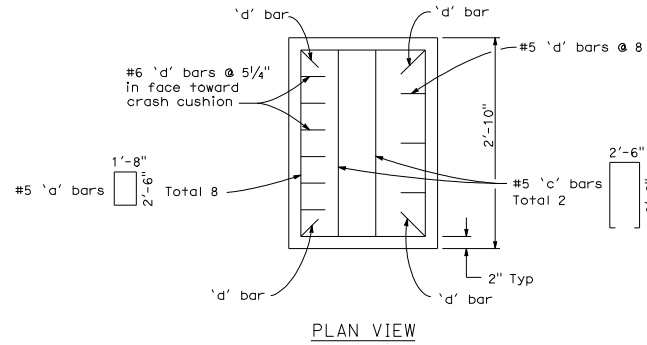
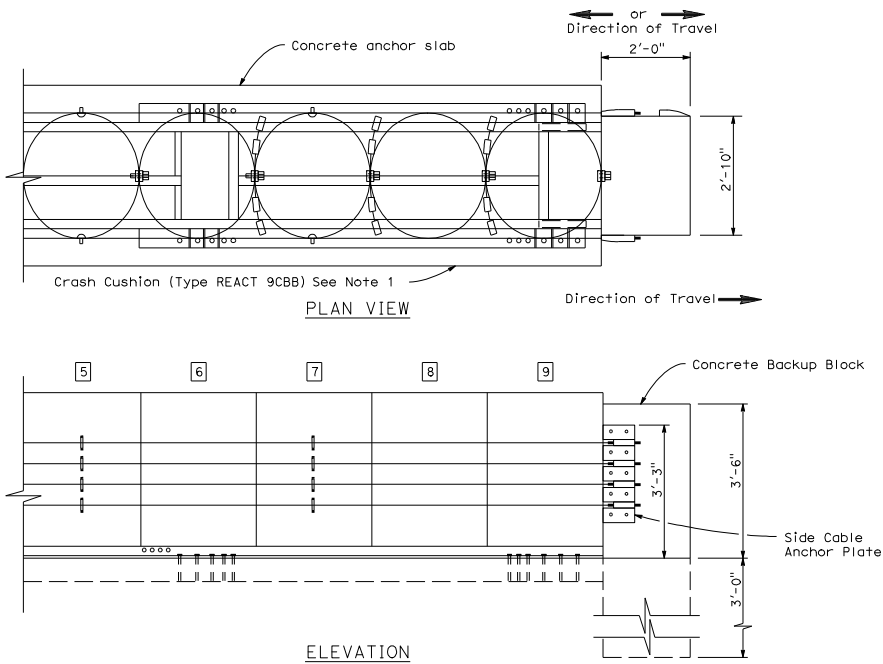


NOTES:

1. For additional details of Crash Cushion (Type REACT 9CBB), see Standard Plan A82C1.
2. For transition details of fixed object to backup block, see Standard Plan A82C3.
3. For details of the REACT Crash Cushion with self contained backup support (no concrete backup block), see Standard plan A82D1.



| DIST | COUNTY | ROUTE | POST MILES TOTAL PROJECT | SHEET NO. | TOTAL SHEETS |
|------|--------|-------|-----------------------------|-----------|--------------|
| | | | | | |

Randell D. Hiatt
REGISTERED CIVIL ENGINEER

May 1, 2006
PLANS APPROVAL DATE

Randell D. Hiatt
REGISTERED PROFESSIONAL ENGINEER
No. C50200
Exp. 6-30-07
CIVIL
STATE OF CALIFORNIA

The State of California or its officers or agents shall not be responsible for the accuracy or completeness of electronic copies of this plan sheet.

To get to the Caltrans web site, go to <http://www.dot.ca.gov>

STATE OF CALIFORNIA
DEPARTMENT OF TRANSPORTATION
**CRASH CUSHION
(TYPE REACT 9CBB)
BACKUP BLOCK DETAILS**

NO SCALE

A82C2