

DIST	COUNTY	ROUTE	POST MILES TOTAL PROJECT	SHEET NO.	TOTAL SHEETS

Randell D. Hiatt
REGISTERED CIVIL ENGINEER

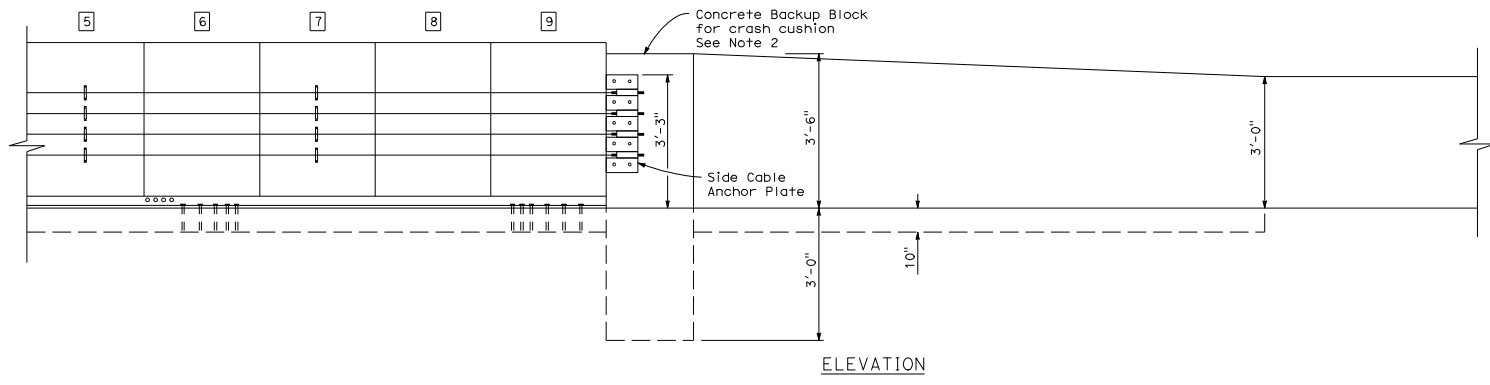
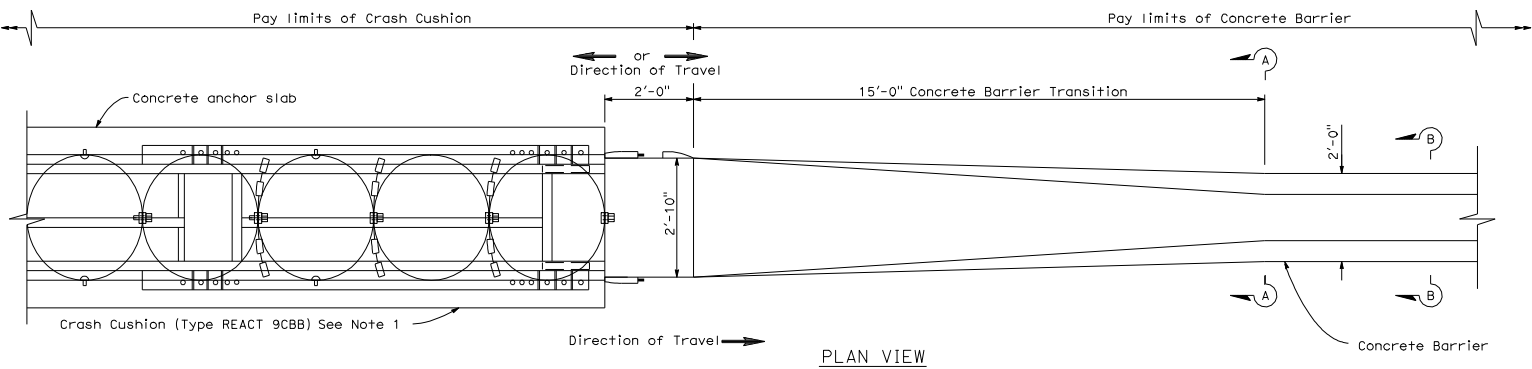
May 1, 2006
PLANS APPROVAL DATE

Randell D. Hiatt
REGISTERED PROFESSIONAL ENGINEER
No. C50200
Exp. 6-30-07
CIVIL
STATE OF CALIFORNIA

The State of California or its officers or agents shall not be responsible for the accuracy or completeness of electronic copies of this plan sheet.

To get to the Caltrans web site, go to <http://www.dot.ca.gov>

- NOTES:**
1. For additional details of Crash Cushion (Type REACT 9CBB), see Standard Plan A82C1.
 2. For additional details of the concrete backup block, see Standard Plan A82C2.
 3. Transitions for other types of concrete barrier similar to that shown for Type 60.



STATE OF CALIFORNIA
DEPARTMENT OF TRANSPORTATION

**CRASH CUSHION
(TYPE REACT 9CBB)
CONCRETE BARRIER
TRANSITION DETAILS**

NO SCALE

A82C3