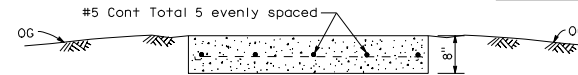
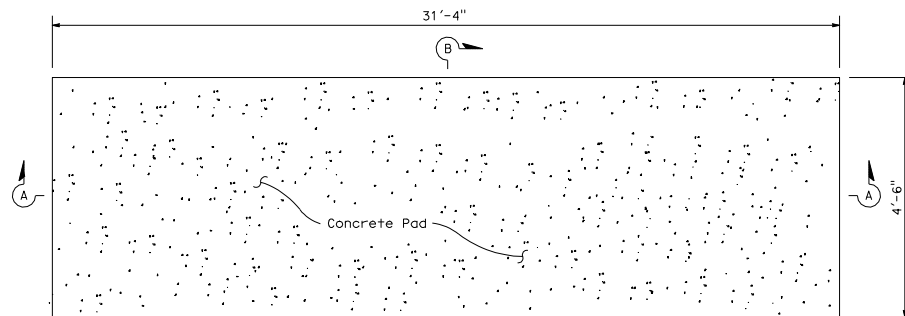
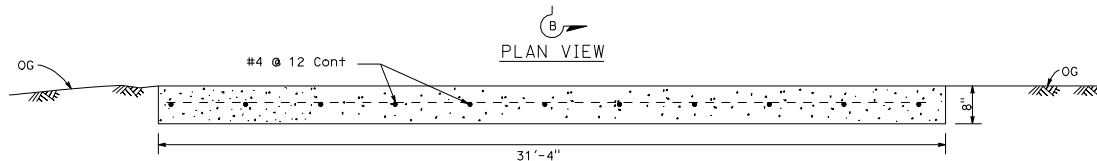


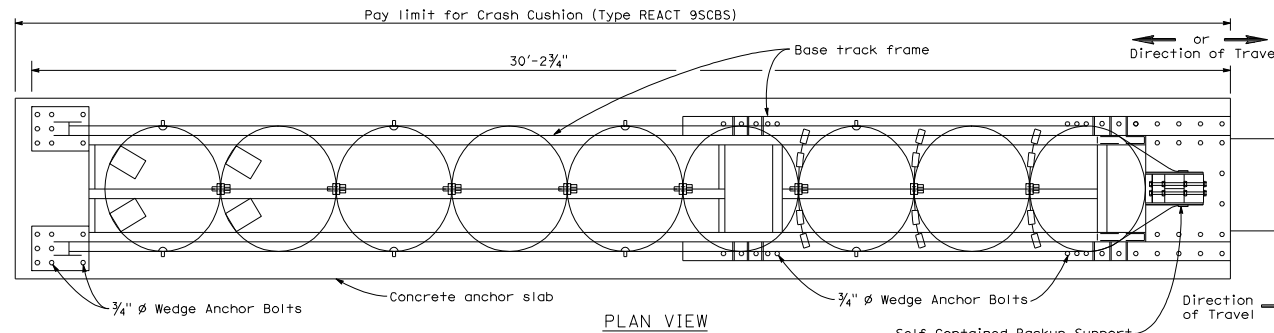
107



SECTION B-B



SECTION A-A
CONCRETE ANCHOR SLAB

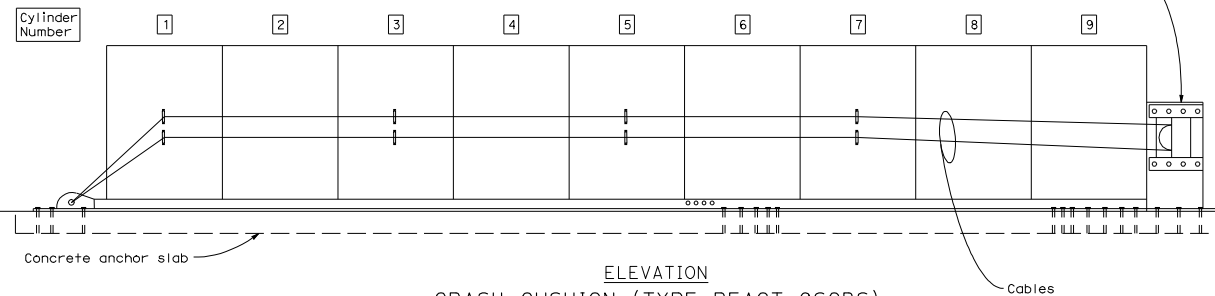


PLAN VIEW

LEGEND:

9SCBS = 9 Cylinder Cushion with Self Contained Backup Support

Fixed Object, see Standard Plan A82D2 for alignment and connection details of crash cushion with the fixed object.



ELEVATION
CRASH CUSHION (TYPE REACT 9SCBS)

See Note 2

NOTES:

1. For additional details of this crash cushion, refer to manufacturer's installation instructions.
2. For details of the REACT Crash Cushion with concrete backup block (no self contained backup support), see Standard Plan A82C1.
3. This crash cushion comes from the manufacturer as a completely pre-assembled unit, including the self contained cable backup support.
4. Place the crash cushion unit on the cured concrete anchor slab and use the base track frame of the crash cushion as a template for drilling anchor bolt holes. Drill holes in slab and attach crash cushion with wedge anchor bolts supplied by the manufacturer.
5. Place manufacturer supplied cover over cylinders and attach cover to cylinders with manufacturer supplied fasteners.

DIST	COUNTY	ROUTE	POST MILES TOTAL PROJECT	SHEET NO.	TOTAL SHEETS

Randell D. Hiatt
REGISTERED CIVIL ENGINEER

May 1, 2006
PLANS APPROVAL DATE

Randell D. Hiatt
REGISTERED PROFESSIONAL ENGINEER
No. C50200
Exp. 6-30-07
CIVIL
STATE OF CALIFORNIA

The State of California or its officers or agents shall not be responsible for the accuracy or completeness of electronic copies of this plan sheet.

To get to the Caltrans web site, go to <http://www.dot.ca.gov>

STATE OF CALIFORNIA
DEPARTMENT OF TRANSPORTATION
**CRASH CUSHION
(TYPE REACT 9SCBS)**
NO SCALE

A82D1

2006 STANDARD PLAN A82D1