


DIST	COUNTY	ROUTE	POST MILES TOTAL PROJECT	SHEET NO.	TOTAL SHEETS

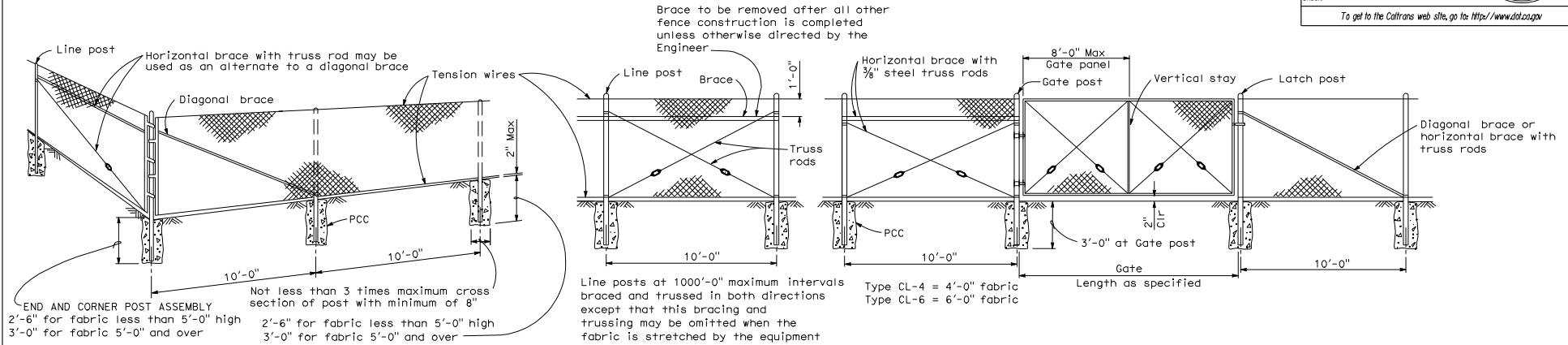

 REGISTERED CIVIL ENGINEER

May 1, 2006
 PLANS APPROVAL DATE

Glenn DeCou
 No. C34547
 Exp. 9-30-07
 CIVIL

The State of California or its officers or agents shall not be responsible for the accuracy or completeness of electronic copies of this plan sheet.

To get to the Caltrans web site, go to <http://www.dot.ca.gov>



END AND CORNER POST ASSEMBLY
 2'-6" for fabric less than 5'-0" high
 3'-0" for fabric 5'-0" and over

Not less than 3 times maximum cross section of post with minimum of 8"
 2'-6" for fabric less than 5'-0" high
 3'-0" for fabric 5'-0" and over

TYPICAL MEMBER DIMENSIONS (See Notes)

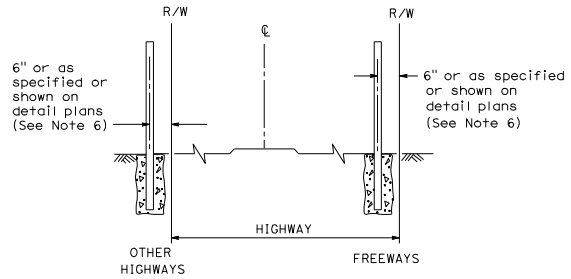
FENCE HEIGHT	LINE POSTS				END, LATCH & CORNER POSTS			BRACES			
	ROUND ID	H	ROLL FORMED	ROUND ID	ROLL FORMED		ROUND ID	H	ROLL FORMED		
					□	□			□	□	
6' & less	1 1/2"	1 7/8" x 1 3/8"	1 7/8" x 1 5/8"	2"	3 1/2" x 3 1/2"	2" x 1 3/4"	1 1/4"	1 1/2" x 1 5/8"	1 5/8" x 1 1/4"	1 3/4" x 1 1/4"	
Over 6'	2"	2 1/4" x 2"	2" x 1 3/4"	2 1/2"	3 1/2" x 3 1/2"	2 1/2" x 2 1/2"	1 1/4"	1 1/2" x 1 5/8"	1 5/8" x 1 1/4"	1 3/4" x 1 1/4"	

- NOTES:**
- The above table shows examples of post and brace sections which may comply with the Specifications.
 - Sections shown in the tables must also comply with the strength requirements and other provisions of the Specifications.
 - Other sections which comply with the strength requirements and other provisions of the Specifications may be used on approval of the Engineer.
 - Options exercised shall be uniform on any one project.
 - Dimensions shown are nominal.
 - Offset to be 2'-0" at monument locations, measured at right angles to R/W lines. Taper to achieve offset to be at least 20'-0" long.

GATE POST

FENCE HEIGHT	GATE WIDTHS	NOMINAL ID	WEIGHT PER FOOT
6'-0" and Less	Up thru 6'-0"	2 1/2"	4.95 LB
	Over 6'-0" thru 12'-0"	4"	10.79 LB
	Over 12'-0" thru 18'-0"	5"	14.62 LB
	Over 18'-0" to 24'-0" Max	6"	18.97 LB
Over 6'-0"	Up thru 6'-0"	3"	7.58 LB
	Over 6'-0" thru 12'-0"	5"	14.62 LB
	Over 12'-0" thru 18'-0"	6"	18.97 LB
	Over 18'-0" to 24'-0" Max	8"	28.55 LB

Above post dimensions and weights are minimums. Larger sizes may be used on approval of the Engineer.



FENCE LOCATION

STATE OF CALIFORNIA
 DEPARTMENT OF TRANSPORTATION
CHAIN LINK FENCE
 NO SCALE

A85

2006 STANDARD PLAN A85