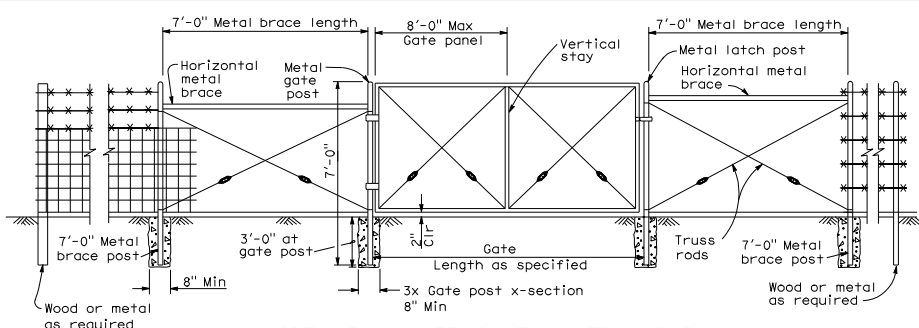


112



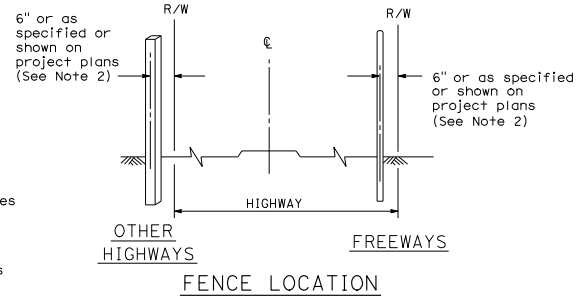
**WIRE MESH GATE INSTALLATION FOR EITHER WOOD OR METAL POST FENCES**

WIRE MESH GATE POST (See Note 4)		
GATE WIDTHS	NOMINAL ID	WEIGHT PER FOOT
Up thru 6'-0"	2 1/2"	4.95 LB
Over 6'-0" thru 12'-0"	3 1/2"	9.11 LB
Over 12'-0" thru 18'-0"	5"	14.62 LB
Over 18'-0" to 24'-0" Max	6"	18.97 LB

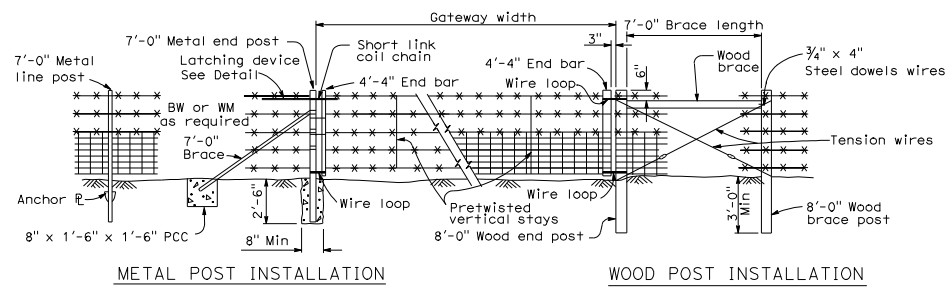
DIST	COUNTY	ROUTE	POST MILES TOTAL PROJECT	SHEET NO.	TOTAL SHEETS
May 1, 2006 PLANS APPROVAL DATE					
To get to the Caltrans web site, go to <a href="http://www.dot.ca.gov">http://www.dot.ca.gov</a>					

**NOTES:**

1. Metal end post and end bar shown. Use wood end post and end bar for wood post installation.
2. Offset to be 2'-0" at monument locations, measured at right angles to R/W lines. Taper to achieve offset to be at least 20'-0" long.
3. Gateway to be used when specified in the special provisions.
4. Post dimensions and weights are minimums. Larger sizes may be used on approval of the Engineer.
5. Line post spacing for wood post equals 12'-0" maximum. Line post spacing for metal post equals 10'-0" maximum.



**FENCE LOCATION**

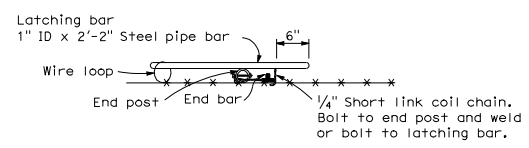


**METAL POST INSTALLATION**

**WOOD POST INSTALLATION**

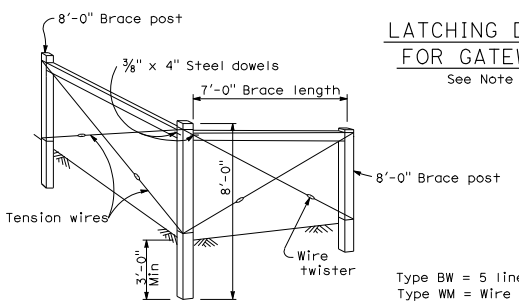
**GATEWAY**

See Note 3

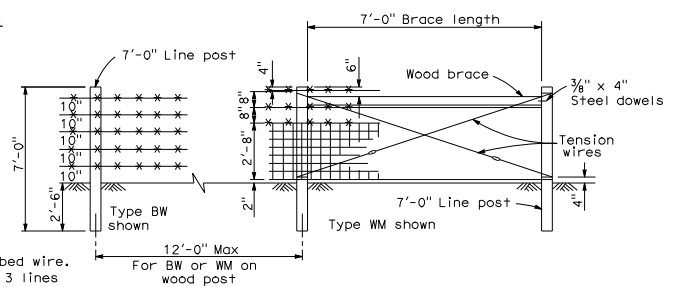


**LATCHING DEVICE FOR GATEWAYS**

See Note 1

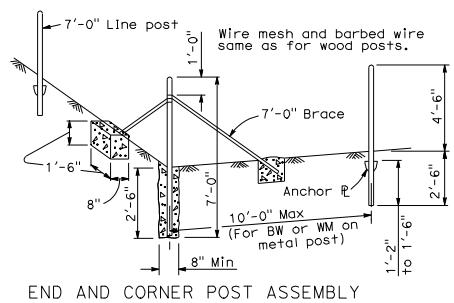


**END AND CORNER POST ASSEMBLY**

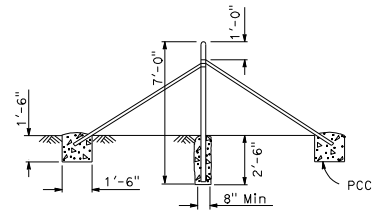


**PULL POST ASSEMBLY**

At 660'-0" maximum intervals for WM fence.  
At 1320'-0" maximum intervals for BW fence.



**END AND CORNER POST ASSEMBLY**



**PULL POST ASSEMBLY**

At 660'-0" maximum intervals for WM fence.  
At 1320'-0" maximum intervals for BW fence.

**METAL POST INSTALLATION**

STATE OF CALIFORNIA  
DEPARTMENT OF TRANSPORTATION  
**BARBED WIRE AND WIRE MESH FENCES**

NO SCALE

**2006 STANDARD PLAN A86**