
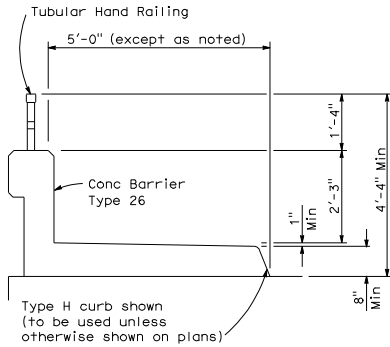
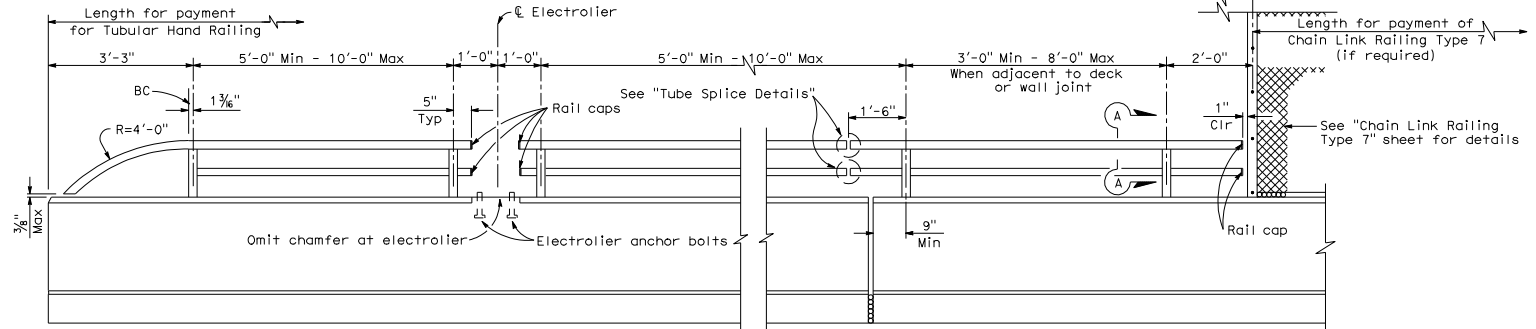


DIST	COUNTY	ROUTE	POST MILES TOTAL PROJECT	SHEET NO.	TOTAL SHEETS
REGISTERED CIVIL ENGINEER  May 1, 2006 PLANS APPROVAL DATE <small>The State of California or its officers or agents shall not be responsible for the accuracy or completeness of electronic copies of this plan sheet.</small> To get to the Caltrans web site, go to http://www.dot.ca.gov					



TYPICAL SECTION



END POST

ELECTROLIER

DECK OR WALL JOINT

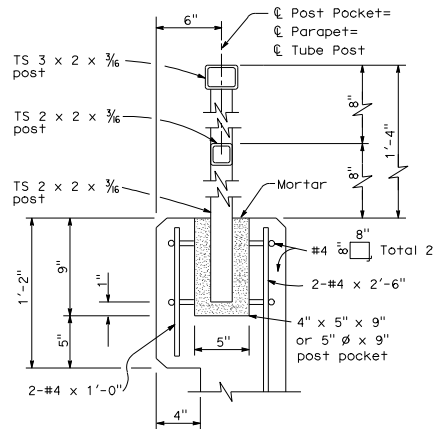
CHAIN LINK RAILING TYPE 7

ELEVATION

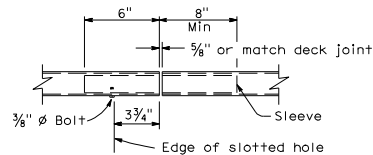


RAIL CAP

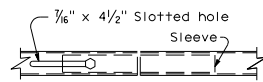
TS 3" x 2" x 0.1875" similar



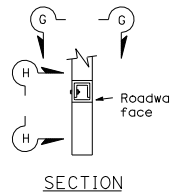
POST ANCHORAGE DETAILS



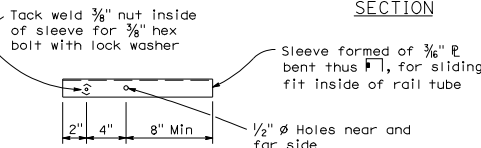
VIEW G-G



VIEW H-H



SECTION



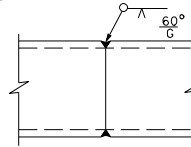
SLEEVE

TUBE SPLICE DETAILS

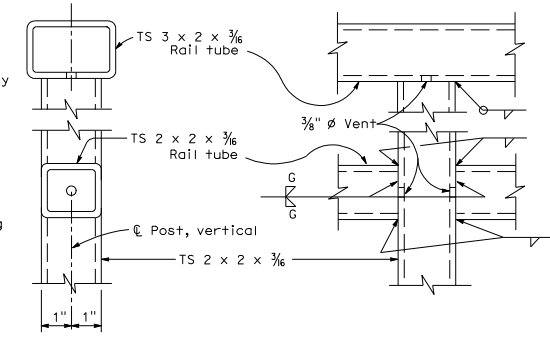
TS 3 x 2 x 3/8" similar

NOTES:

3/8" Nut tacked welded to sleeve may be replaced by drilled and tapped hole in sleeve.



TUBE-WELDED SPLICE



SECTION A-A

RAIL CONNECTION DETAILS

ELEVATION

NOTES:

1. Galvanize rail assembly after fabrication.
2. Post shall be normal to railing.
3. Rail tubes shall be shop bent or fabricated to fit horizontal curve when radius is less than 950'.
4. Tube splices shall be located in the tubes spanning deck or wall joints. Increase joint width in tubes to match expansion joint width and increase sleeve length correspondingly.
5. Top rail tube shall be continuous over not less than two posts except a short post spacing is permitted near deck or wall joints, electroliers, or other rail discontinuities as noted.
6. For details and reinforcement not shown see Standard Plan B11-54.
7. See project plans for limits of tubular hand railing.

STATE OF CALIFORNIA
DEPARTMENT OF TRANSPORTATION

TUBULAR HAND RAILING

NO SCALE

B11-51

2006 STANDARD PLAN B11-51