

**NOTES:**

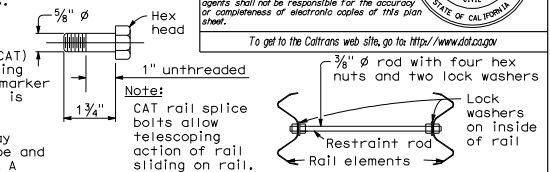
- For additional details of Terminal System (Type CAT), refer to the manufacturer's installation instructions.
- Terminal System (Type CAT) to be used only in locations where there will be traffic on one side of the terminal system. For those locations where traffic would be on both sides of the CAT system, see Standard Plan A82A1.
- The Terminal System Backup is required for all Terminal System (Type CAT) installations. This allows the slotted rail elements to slide over the face of the unslotted rail elements.
- For length and type of metal beam guard railing or metal barrier railing the terminal system is attached to, see Project Plans. For typical use of this terminal system with guard railing, see the A77E, A77F and A77G series of Standard Plans.
- Both of the 0.135" thick slotted rail elements have an attachment plate welded to the back side of one end of each rail element. Attach the welded plate end of the rail elements to Post No.4 prior to splicing the 0.105" thick slotted rail element over the 0.135" thick slotted rail element.
- The 0.105" thick slotted rail elements have four 3/4" diameter holes near one end of the rail elements for the attachment of the spacer channel. Attach this end of the rail elements to Post No.2.
- For details of the anchor plate and 3/4" cable attached to Post No. 6, see Standard Plan A77H1.

- Attach steel soil plate to steel foundation tube with 5/8"  $\phi$  x 7/2" hex head bolts with hex nuts (5/8"  $\phi$  holes in plate and in two sides of tube to accommodate hex bolts).
- The 6" x 8" knockout tube is to be located 4" down from top of wood post. Attach the knockout tube to the post with two 3/8"  $\phi$  lag screws and flat washers.
- Attach strut to Post Nos.1 and 2 foundation tubes with 5/8"  $\phi$  hex head bolts, washers, and hex nuts. Bolts extend through the strut, steel foundation tube, and wood posts.
- Do not attach the rail elements to Post Nos.3, 5 and 6.
- Yellow retroreflective sheeting, as provided by the Terminal System (Type CAT) manufacturer, shall be adhered to the rounded end of nose plate. The sheeting shall be consistent with the design pattern and colors of a Type P object marker panel. The sheeting shall be positioned on the end of nose plate so that it is visible to approaching traffic.
- A 6'-0" length steel foundation tube, TS 8 x 6 x 3/8, without a soil plate, may be furnished and installed in place of the 4'-6" length steel foundation tube and soil plate shown. Minimum embedment of the 6'-0" length tube shall be 5'-9". A 5/8"  $\phi$  hex head bolt and nut shall be installed in the hole in 6'-0" length tube to keep the wood post from dropping into the tube.

DIST	COUNTY	ROUTE	POST MILES TOTAL PROJECT	SHEET NO.	TOTAL SHEETS

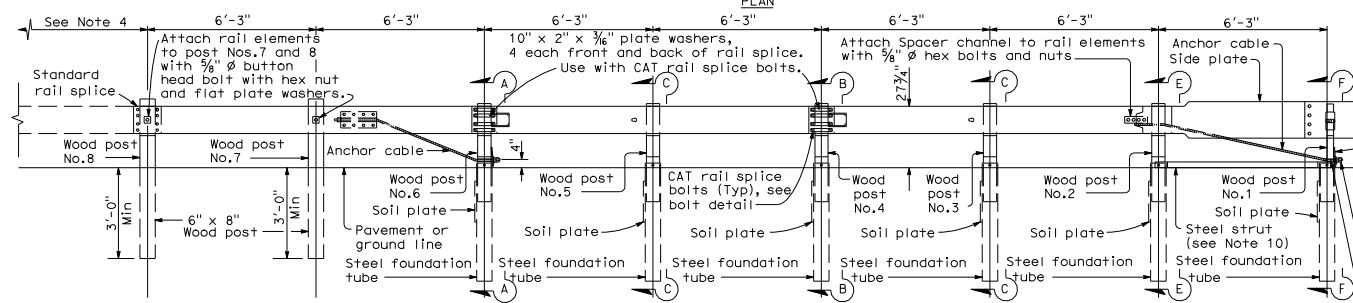
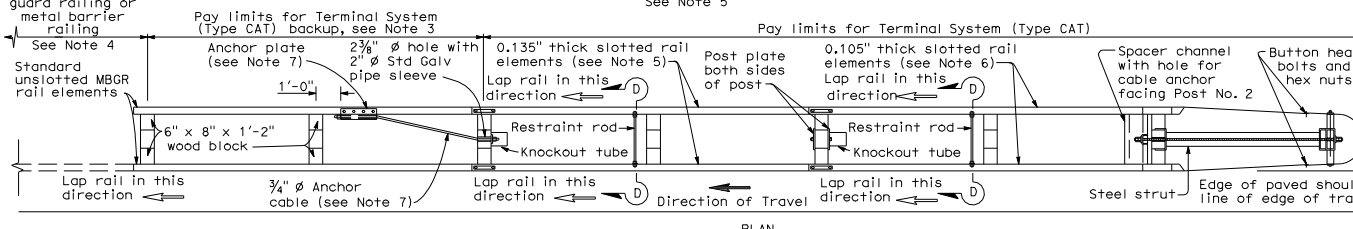
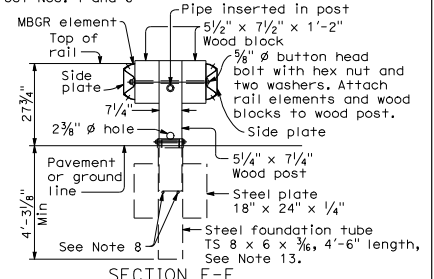
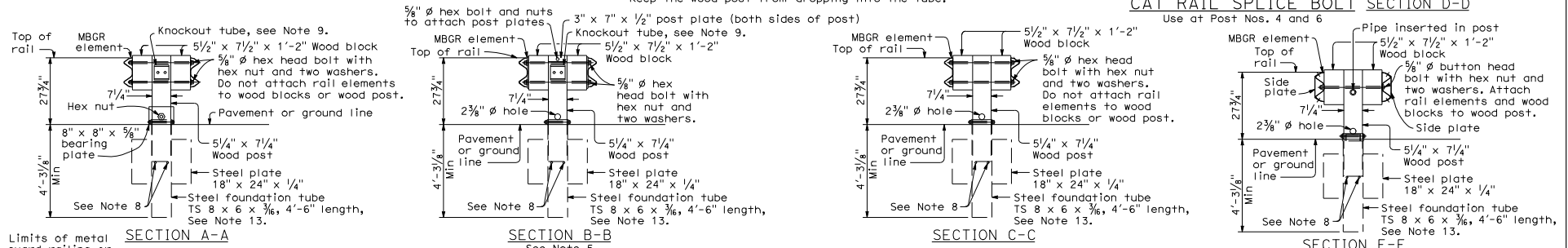
**Randell D. Hiatt**  
 REGISTERED CIVIL ENGINEER  
 No. C50200  
 May 1, 2006  
 PLANS APPROVAL DATE  
The State of California or its officers or agents shall not be responsible for the accuracy or completeness of electronic copies of this plan sheet.  
 To get to the Caltrans web site, go to <http://www.dot.ca.gov>

REGISTERED PROFESSIONAL ENGINEER  
 Randell D. Hiatt  
 No. C50200  
 Exp. 6-30-07  
 CIVIL  
 STATE OF CALIFORNIA



**CAT RAIL SPLICE BOLT SECTION D-D**

Use at Post Nos. 4 and 6



**ELEVATION**  
**TERMINAL SYSTEM (TYPE CAT)**  
 See Note 2

STATE OF CALIFORNIA  
 DEPARTMENT OF TRANSPORTATION  
**METAL BEAM RAILING**  
**TERMINAL SYSTEM**  
**(TYPE CAT)**

NO SCALE

**A77L4**

2006 STANDARD PLAN A77L4