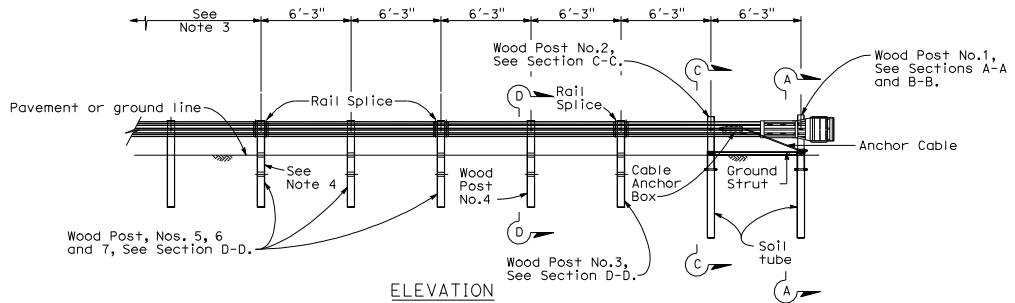
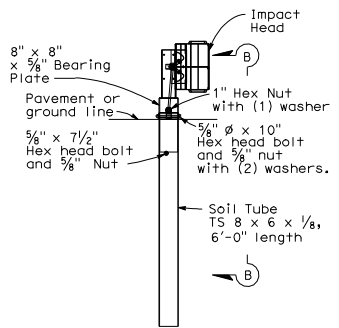


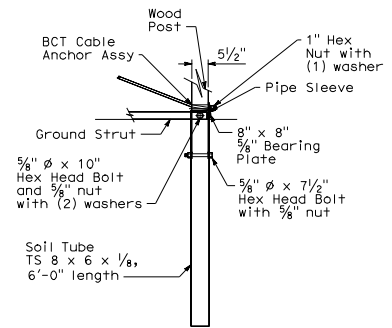
PLAN



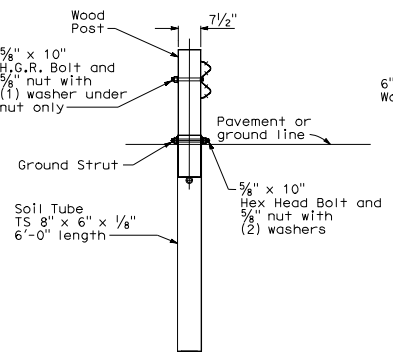
ELEVATION  
TERMINAL SYSTEM (TYPE FLEAT)



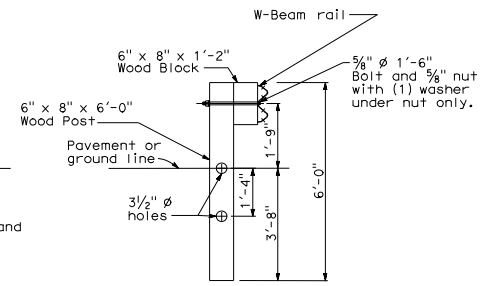
SECTION A-A  
Post No.1



SECTION B-B  
Partial view Post No.1



SECTION C-C  
at Post No.2



SECTION D-D  
Post No.3 through No.7.

STATE OF CALIFORNIA  
DEPARTMENT OF TRANSPORTATION  
**METAL BEAM RAILING  
TERMINAL SYSTEM  
(TYPE FLEAT)**

NO SCALE

**A77L5**

DIST	COUNTY	ROUTE	POST MILES TOTAL PROJECT	SHEET NO.	TOTAL SHEETS

*Randell D. Hiatt*  
REGISTERED CIVIL ENGINEER

May 1, 2006  
PLANS APPROVAL DATE

*Randell D. Hiatt*  
No. C50200  
Exp. 6-30-07  
CIVIL  
STATE OF CALIFORNIA

The State of California or its officers or agents shall not be responsible for the accuracy or completeness of electronic copies of this plan sheet.

To get to the Caltrans web site, go to <http://www.dot.ca.gov>

**NOTES:**

- For additional details of Terminal System (Type FLEAT), refer to the manufacturer's installation instructions.
- Terminal System (Type FLEAT) not to be used where extrusion of the rail on the front side of the installation would be in the path of pedestrian traffic.
- For the length and type of metal beam guard railing or metal barrier railing the terminal system is attached to, see Project Plans. For typical use of this terminal system with guard railing, see the A77E, A77F and A77G Series of the Standard Plans.
- Attach rail element to this post and block. Payment for this post, block and attaching hardware is included in payment for Terminal System (Type FLEAT).

2006 STANDARD PLAN A77L5