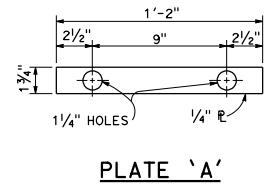
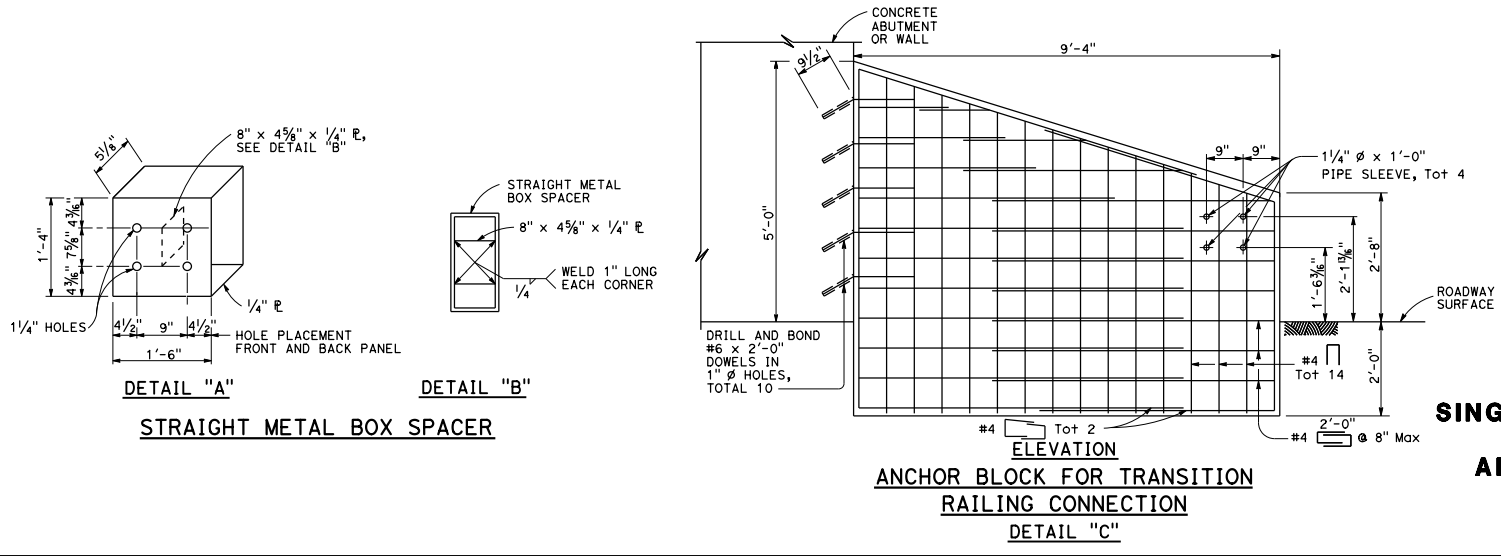


TRANSITION RAILING (TYPE STB)  
SEE NOTE 2

**NOTES:**

1. These connection details apply to concrete abutments and walls. For additional connections details, see Project Plans.
2. For additional details of Transition Railing (Type STB), see Standard Plan A78J. Transition Railing (Type STB) transitions the standard 12 gauge single thrie beam barrier to a heavier gauge single thrie beam railing section then to a heavier gauge nested double thrie beam barrier section which then is connected to the concrete anchor block.
3. For details of End Cap (Type TC), see Standard Plan A78C1.



STATE OF CALIFORNIA  
DEPARTMENT OF TRANSPORTATION

**SINGLE THRIE BEAM BARRIER  
CONNECTIONS TO  
ABUTMENTS AND WALLS**

NO SCALE

**A78G**

DIS#	COUNTY	ROUTE	POST MILES TOTAL PROJECT	SHEET NO.	TOTAL SHEETS

*Randell D. Hiatt*  
REGISTERED CIVIL ENGINEER

October 30, 2015  
PLANS APPROVAL DATE

*Randell D. Hiatt*  
No. C50200  
Exp. 6-30-17  
CIVIL  
STATE OF CALIFORNIA

REGISTERED PROFESSIONAL ENGINEER

THE STATE OF CALIFORNIA OR ITS OFFICERS OR AGENTS SHALL NOT BE RESPONSIBLE FOR THE ACCURACY OR COMPLETENESS OF SCANNED COPIES OF THIS PLAN SHEET.