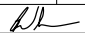
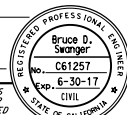
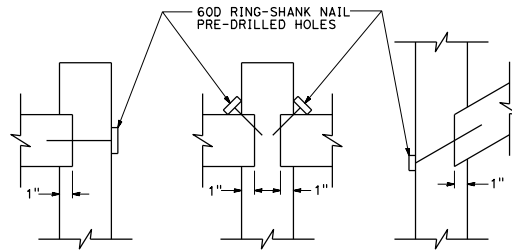


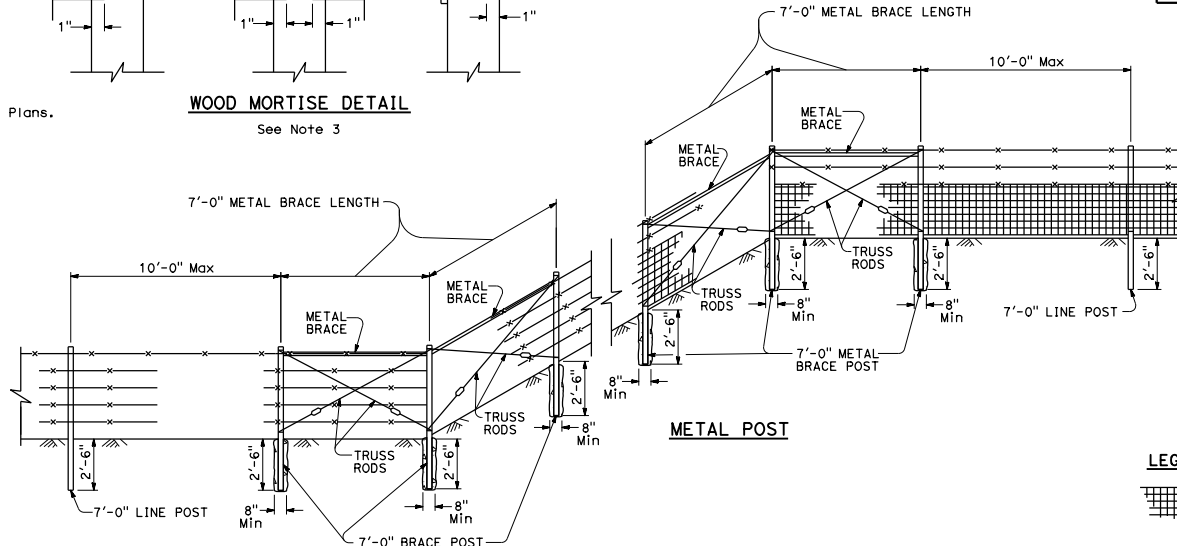
DIST	COUNTY	ROUTE	POST MILES TOTAL PROJECT	SHEET No.	TOTAL SHEETS
 REGISTERED CIVIL ENGINEER					
October 30, 2015 PLANS APPROVAL DATE					
					
THE STATE OF CALIFORNIA OR ITS OFFICERS OR AGENTS SHALL NOT BE RESPONSIBLE FOR THE ACCURACY OR COMPLETENESS OF SCANNED COPIES OF THIS PLAN SHEET.					

**NOTES:**

- Offset to be 2'-0" at monument locations, measured at right angles to R/W lines. Taper to achieve offset to be at least 20'-0" long.
- See Standard Plan A86 for Barbed Wire and Wire Mesh dimensions and for steel post and wood post dimensions and weight.
- Use wood posts when specified in the Special Provisions or shown on the Project Plans.





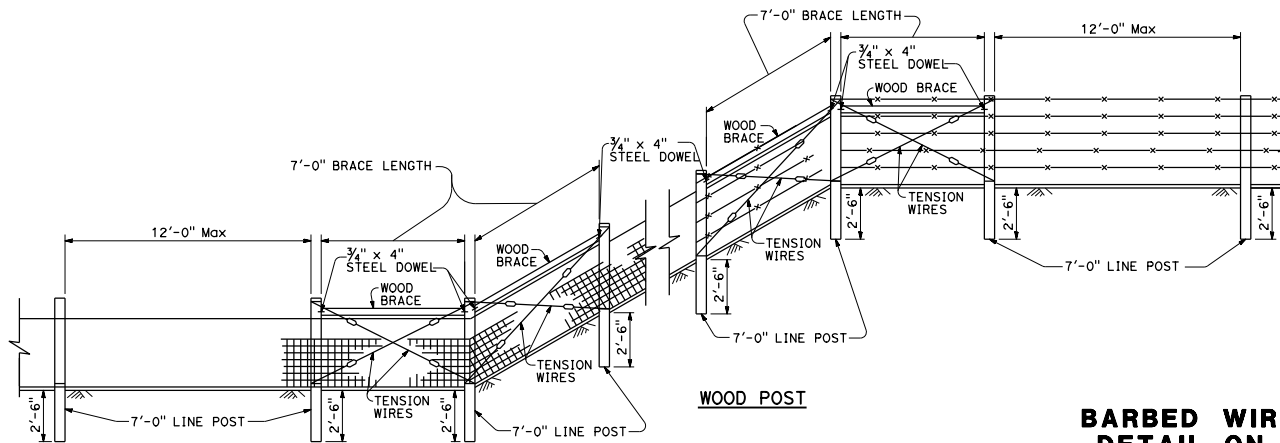
**WOOD MORTISE DETAIL**  
See Note 3



**METAL POST**

**LEGEND:**

-  WIRE MESH FENCING
-  BARBED WIRE FENCING



**WOOD POST**

**FENCE ON SHARP BREAK IN GRADE**

STATE OF CALIFORNIA  
DEPARTMENT OF TRANSPORTATION  
**BARBED WIRE AND WIRE MESH FENCE  
DETAIL ON SHARP BREAK IN GRADE**

NO SCALE

**A86A**