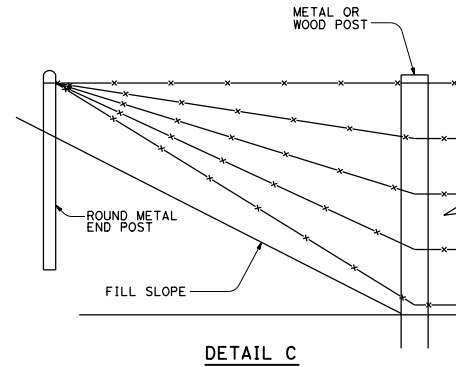
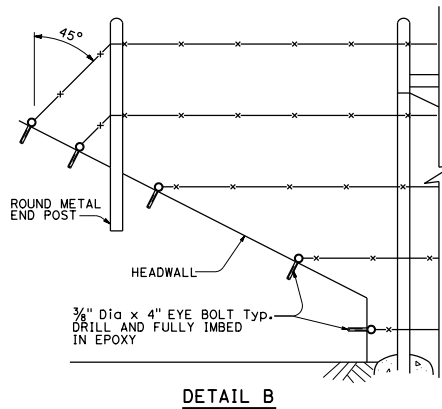
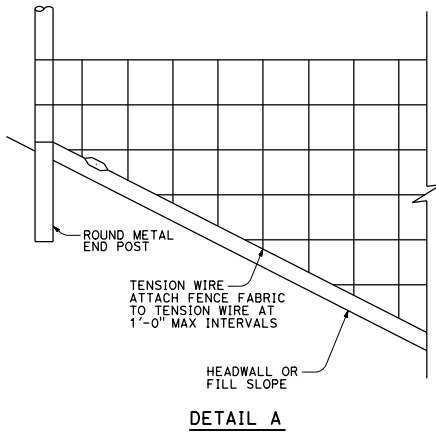


METHOD OF ERECTING FENCE FOR FILL SLOPE

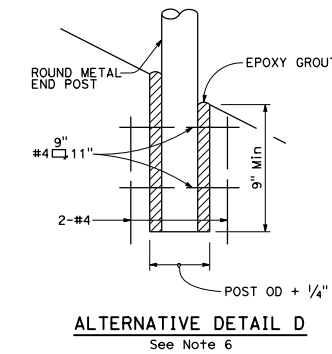
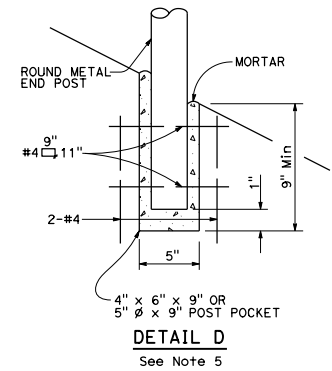
METHOD OF TYING FENCE TO HEADWALL



DETAIL A

DETAIL B

DETAIL C



ALTERNATIVE DETAIL D

NOTES:

1. Wire Mesh fencing shown, can also use Barbed Wire fencing.
2. See Standard Plan A86 for Wire Mesh and Barbed Wire fence dimensions.
3. T is not less than 3 times maximum cross section of post with minimum of 8".
4. H is 2'-6" for fabric less than 5'-0" high. H is 3'-0" for fabric 5'-0" and over.
5. May be used when thickness of concrete is 1'-0" or more.
6. May be used when thickness of concrete is 10" or more.

DIST	COUNTY	ROUTE	POST MILES TOTAL PROJECT	SHEET TOTAL SHEETS

REGISTERED CIVIL ENGINEER

October 30, 2015
PLANS APPROVAL DATE

THE STATE OF CALIFORNIA OR ITS OFFICERS OR AGENTS SHALL NOT BE RESPONSIBLE FOR THE ACCURACY OR COMPLETENESS OF SCANNED COPIES OF THIS PLAN SHEET.

REGISTERED PROFESSIONAL ENGINEER
Bruce D. Swanger
No. C61257
Exp. 6-30-17
CIVIL
STATE OF CALIFORNIA

BARBED WIRE AND WIRE MESH FENCE DETAILS

NO SCALE

A86B