

NOTES:

1. See Revised Standard Plan RSP A77N5 for additional vegetation control details.
2. Where paved shoulder is constructed within 36" in front of the post, construct vegetation control to the edge of paved shoulder.
3. Vegetation control must slope to drain water.
4. Concrete over block-out material depth, construct $\frac{3}{8}$ " Min to $\frac{5}{8}$ " Max.
5. This plan for vegetation control installation only.

DIST	COUNTY	ROUTE	POST MILES TOTAL PROJECT	SHEET NO.	TOTAL SHEETS

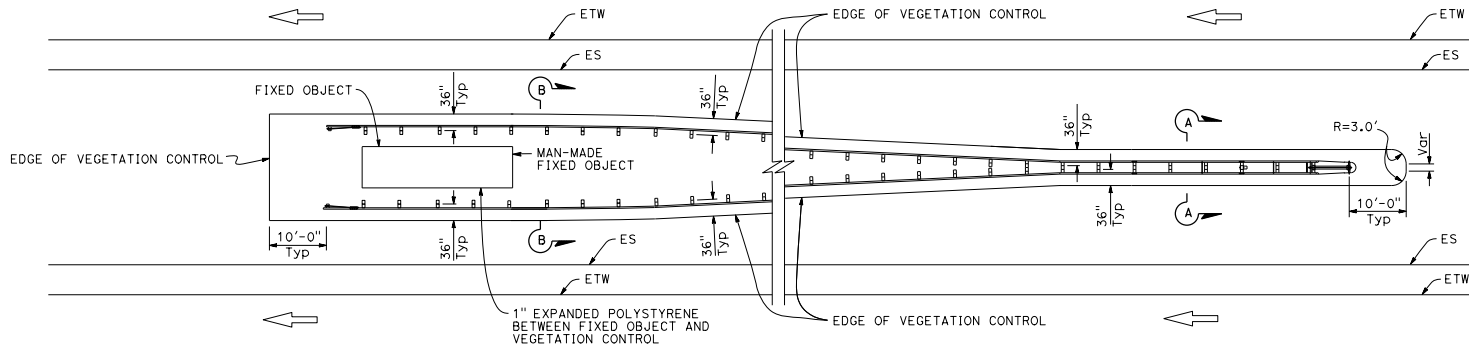
Randell D. Hiatt
REGISTERED CIVIL ENGINEER

July 21, 2017
PLANS APPROVAL DATE

Randell D. Hiatt
No. C50200
Exp. 6-30-19
CIVIL
STATE OF CALIFORNIA

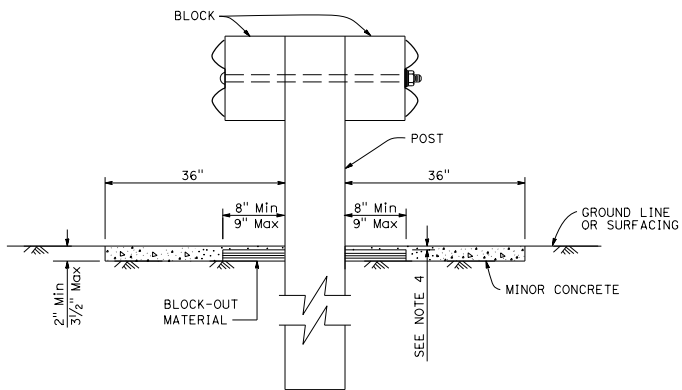
THE STATE OF CALIFORNIA OR ITS OFFICERS OR AGENTS SHALL NOT BE RESPONSIBLE FOR THE ACCURACY OR COMPLETENESS OF SCANNED COPIES OF THIS PLAN SHEET.

TO ACCOMPANY PLANS DATED _____

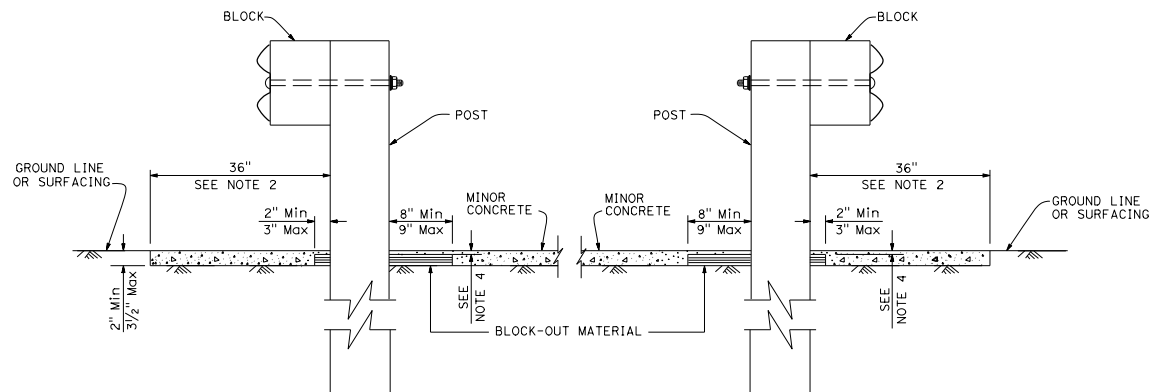


PLAN

Fixed object(s) between separate roadbeds
(One-Way Traffic)



SECTION A-A



SECTION B-B

STATE OF CALIFORNIA
DEPARTMENT OF TRANSPORTATION
**MINOR CONCRETE VEGETATION CONTROL
GUARDRAIL SYSTEM
AT FIXED OBJECT**

NO SCALE

RSP A77N10 DATED JULY 21, 2017 SUPERSEDES STANDARD PLAN A77N10
DATED OCTOBER 30, 2015 - PAGE 62 OF THE STANDARD PLANS BOOK DATED 2015.

REVISED STANDARD PLAN RSP A77N10

2015 REVISED STANDARD PLAN RSP A77N10