

NOTES:

1. Minor concrete must be placed below anchor cable, bolt with nut and washer, or anchor plate.
2. Vegetation control must slope to drain water.
3. Concrete over block-out material depth, construct  $\frac{3}{8}$ " Min to  $\frac{3}{4}$ " Max.
4. This plan for vegetation control installation only.
5. For buried post end anchor, refer to Standard Plan A77T2.
6. For end anchor assembly, refer to Standard Plan A77S1.

DIST	COUNTY	ROUTE	POST MILES TOTAL PROJECT	SHEET NO.	TOTAL SHEETS

*Randell D. Hiatt*  
REGISTERED CIVIL ENGINEER

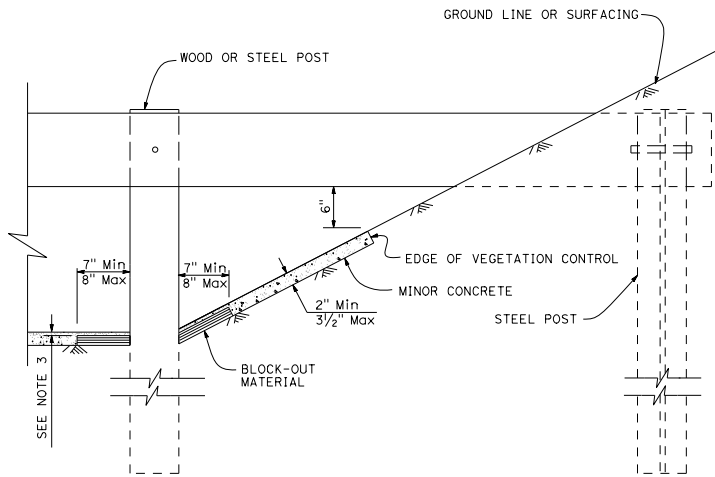
July 21, 2017  
PLANS APPROVAL DATE

No. C50200  
EXP. 6-30-19  
CIVIL

REGISTERED PROFESSIONAL ENGINEER  
STATE OF CALIFORNIA

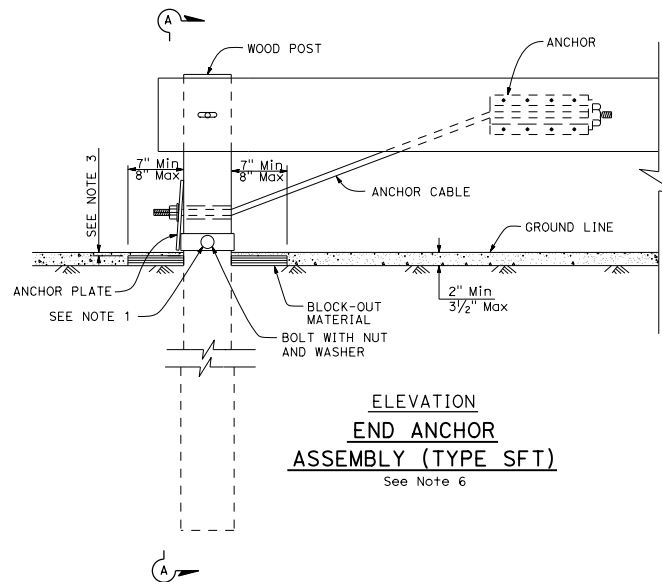
THE STATE OF CALIFORNIA OR ITS OFFICERS OR AGENTS SHALL NOT BE RESPONSIBLE FOR THE ACCURACY OR COMPLETENESS OF SCANNED COPIES OF THIS PLAN SHEET.

TO ACCOMPANY PLANS DATED \_\_\_\_\_



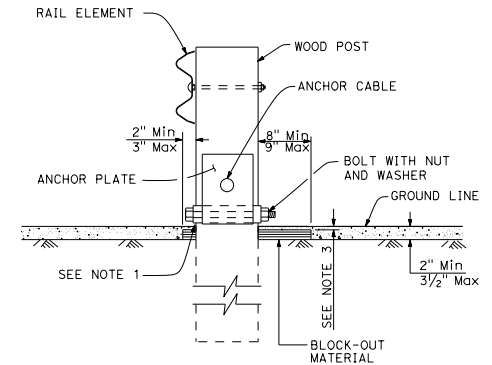
**BURIED POST END ANCHOR**

See Note 5



**ELEVATION  
END ANCHOR  
ASSEMBLY (TYPE SFT)**

See Note 6



**SECTION A-A**

STATE OF CALIFORNIA  
DEPARTMENT OF TRANSPORTATION

**MINOR CONCRETE VEGETATION CONTROL  
GUARDRAIL SYSTEM  
MISCELLANEOUS DETAILS**

NO SCALE

RSP A77N11 DATED JULY 21, 2017 SUPPLEMENTS THE STANDARD PLANS BOOK DATED 2015.

**REVISED STANDARD PLAN RSP A77N11**

2015 REVISED STANDARD PLAN RSP A77N11