

DIST	COUNTY	ROUTE	POST MILES TOTAL PROJECT	SHEET TOTAL NO. SHEETS

*Randell D. Hiatt*  
REGISTERED CIVIL ENGINEER

January 20, 2017  
PLANS APPROVAL DATE

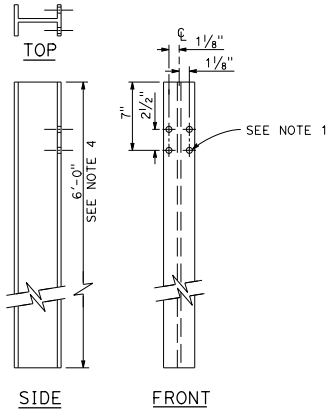
REGISTERED PROFESSIONAL ENGINEER  
No. C50200  
Exp. 6-30-17  
CIVIL  
STATE OF CALIFORNIA

THE STATE OF CALIFORNIA OR ITS OFFICERS OR AGENTS SHALL NOT BE RESPONSIBLE FOR THE ACCURACY OR COMPLETENESS OF SCANNED COPIES OF THIS PLAN SHEET.

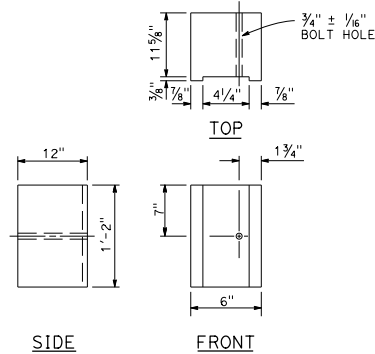
TO ACCOMPANY PLANS DATED \_\_\_\_\_

**NOTES:**

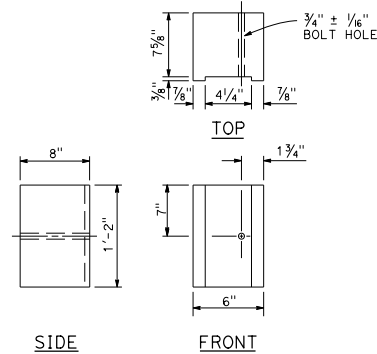
- All holes in steel post shall be  $\frac{3}{16}$ " Dia maximum.
- Dimensions shown for wood block are nominal.
- Notched face of block faces steel post.
- 6'-0" length posts to be used for typical roadway installation. See Standard Plan A77N3.
- See Revised Standard Plan RSP A77L3 for use of 6" x 8" and 8" x 8" notched wood blocks.
- This post and 8" x 12" block combination to be used for line post sections of MGS on narrow roadways and where strengthened line post sections of MGS are warranted to shield fixed objects.
- 6" x 12" notched wood block and 8" x 12" notched wood block must be used with 6" dike.



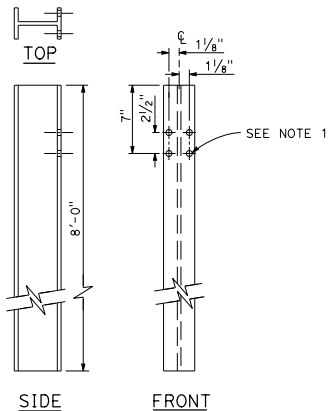
**W6 x 9 OR W6 x 8.5  
STEEL POST**  
See Note 4



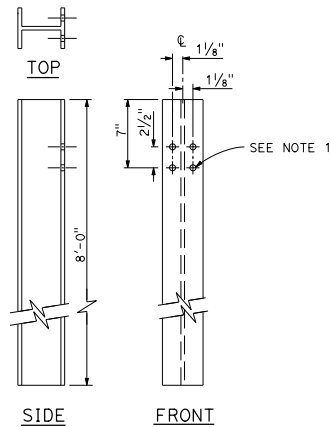
**6" x 12"  
NOTCHED WOOD BLOCK**  
See Notes 2, 3 and 7



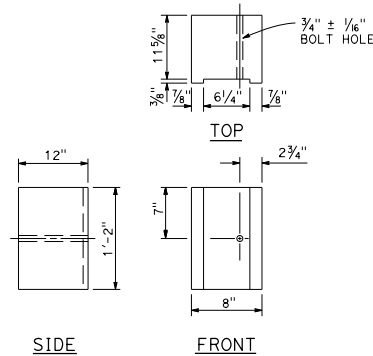
**6" x 8"  
NOTCHED WOOD BLOCK**  
Only for use with metal beam guard railing. See Note 5



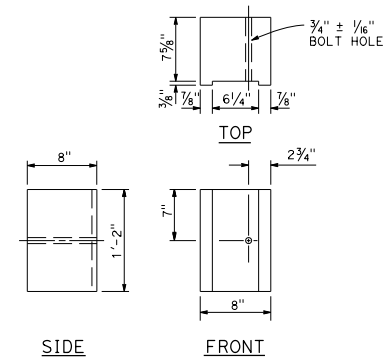
**W6 x 9 OR W6 x 8.5  
STEEL POST**  
See Note 6



**W6 x 15  
STEEL POST**



**8" x 12"  
NOTCHED WOOD BLOCK**  
See Notes 2, 3 and 7



**8" x 8"  
NOTCHED WOOD BLOCK**  
Only for use with metal beam guard railing. See Note 5

STATE OF CALIFORNIA  
DEPARTMENT OF TRANSPORTATION  
**MIDWEST GUARDRAIL SYSTEM  
STEEL POST AND  
NOTCHED WOOD BLOCK DETAILS**  
NO SCALE

RSP A77N2 DATED JANUARY 20, 2017 SUPERSEDES STANDARD PLAN A77N2  
DATED OCTOBER 30, 2015 - PAGE 54 OF THE STANDARD PLANS BOOK DATED 2015.

**REVISED STANDARD PLAN RSP A77N2**

2015 REVISED STANDARD PLAN RSP A77N2