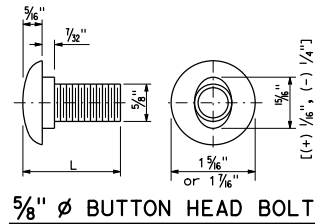
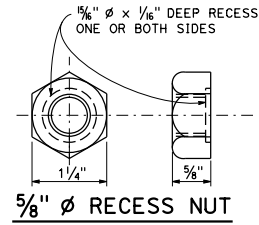
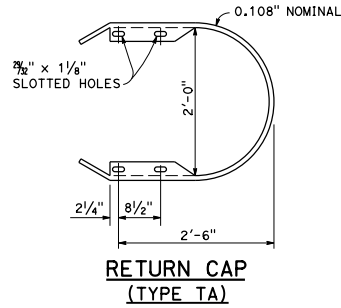
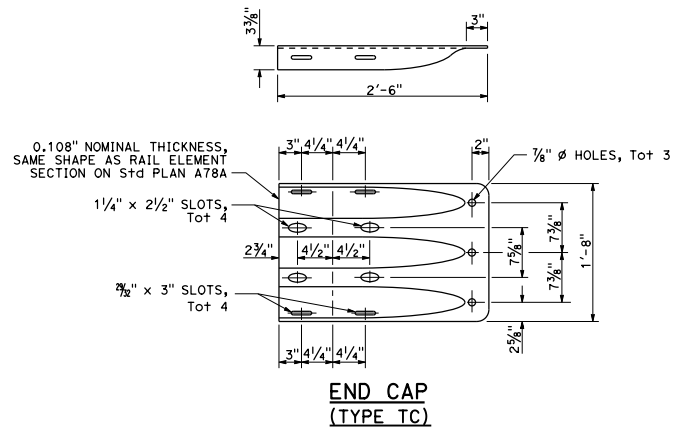


Dist	COUNTY	ROUTE	POST MILES TOTAL PROJECT	SHEET NO.	TOTAL SHEETS
<i>Randell D. Hiatt</i> REGISTERED CIVIL ENGINEER					
October 30, 2015 PLANS APPROVAL DATE					
<small>THE STATE OF CALIFORNIA OR ITS OFFICERS OR AGENTS SHALL NOT BE RESPONSIBLE FOR THE ACCURACY OR COMPLETENESS OF SCANNED COPIES OF THIS PLAN SHEET.</small>					



L	THREAD LENGTH
1 1/4"	FULL THREAD LENGTH
2"	FULL THREAD LENGTH
9/2"	4" Min THREAD LENGTH
18"	4" Min THREAD LENGTH
27"	4" Min THREAD LENGTH



STATE OF CALIFORNIA
 DEPARTMENT OF TRANSPORTATION

**THREE BEAM BARRIER
 STANDARD HARDWARE DETAILS**

NO SCALE

A78C1